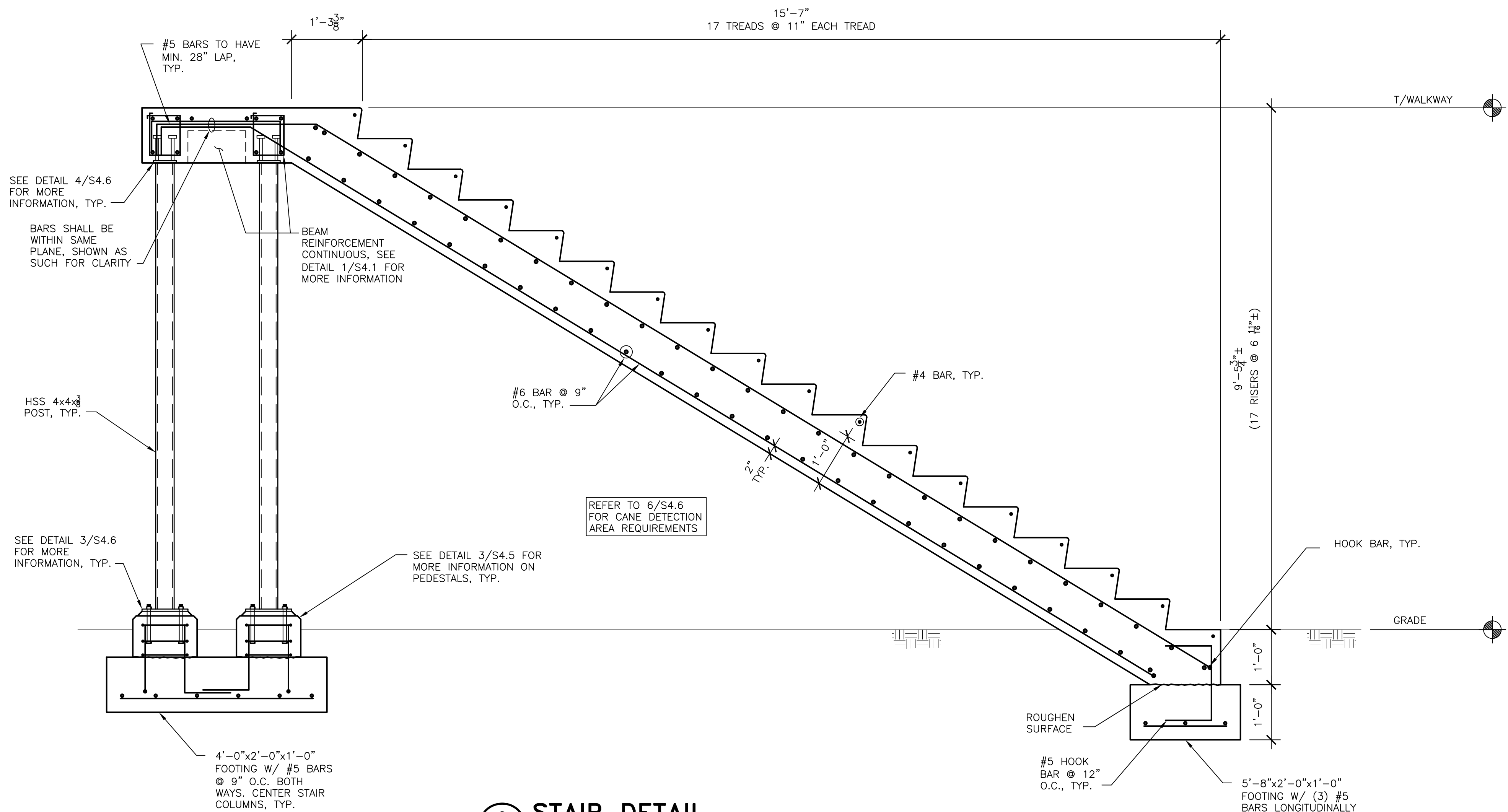
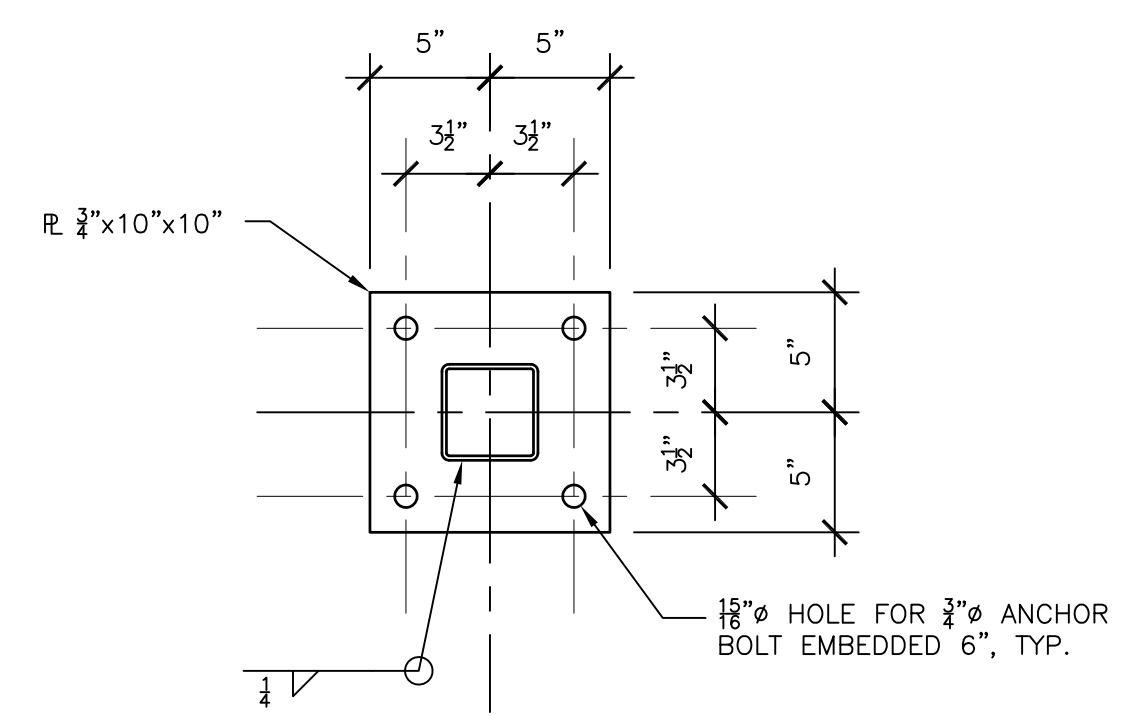


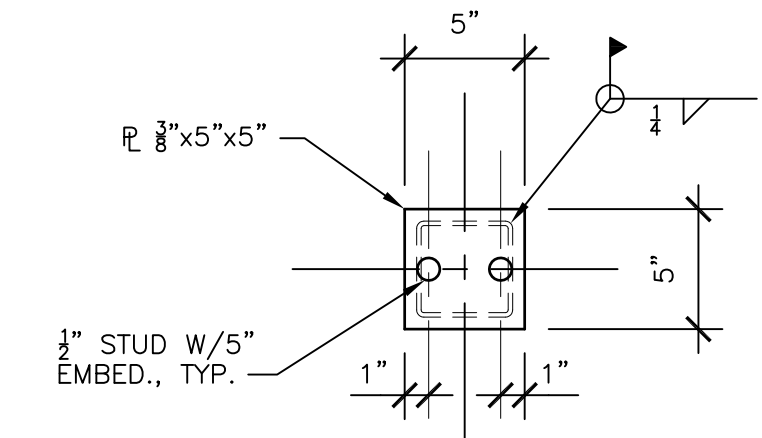
1 NEW STAIR PLAN
S4.6 SCALE: 3/4" = 1'-0"



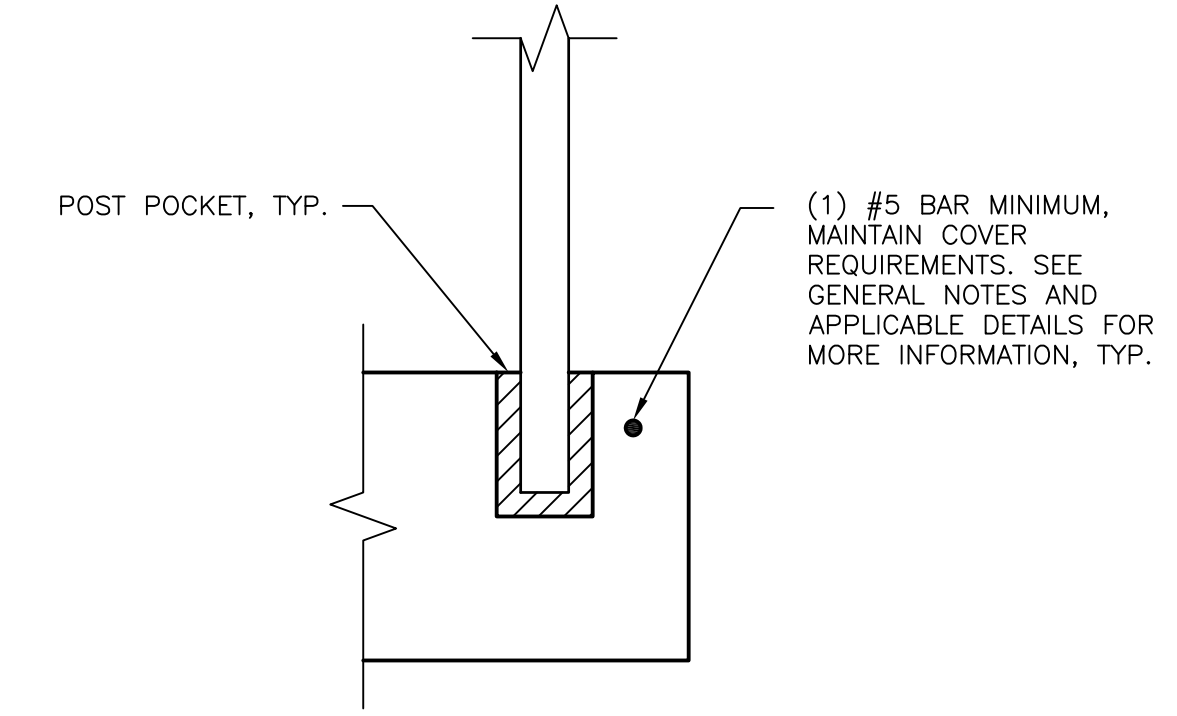
2 STAIR DETAIL
S4.6 SCALE: 3/4" = 1'-0"



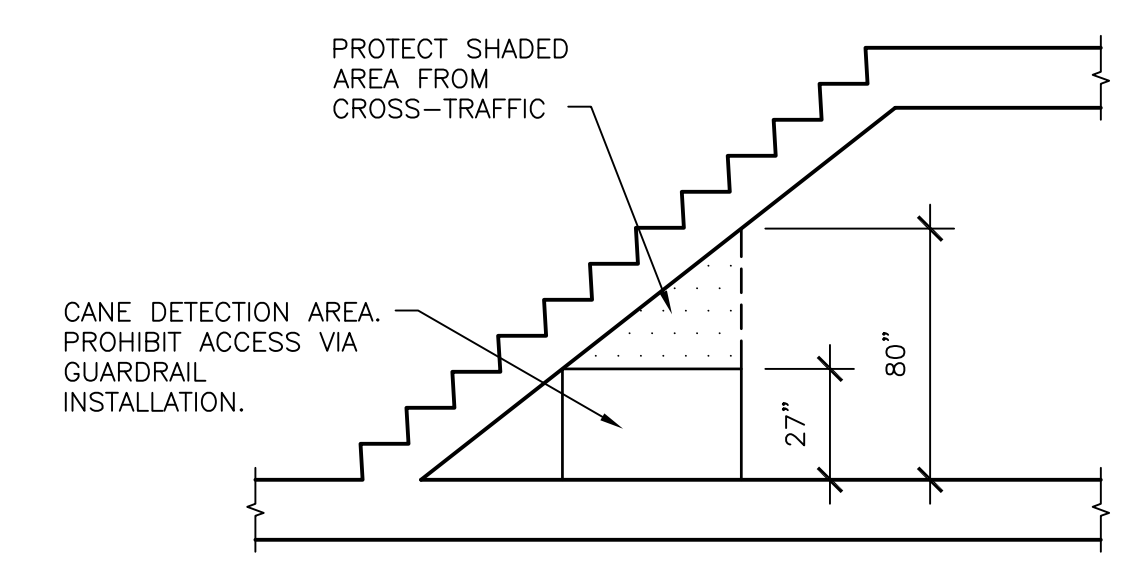
3 BASE PLATE DETAIL
S4.6 SCALE: 1 1/2" = 1'-0"



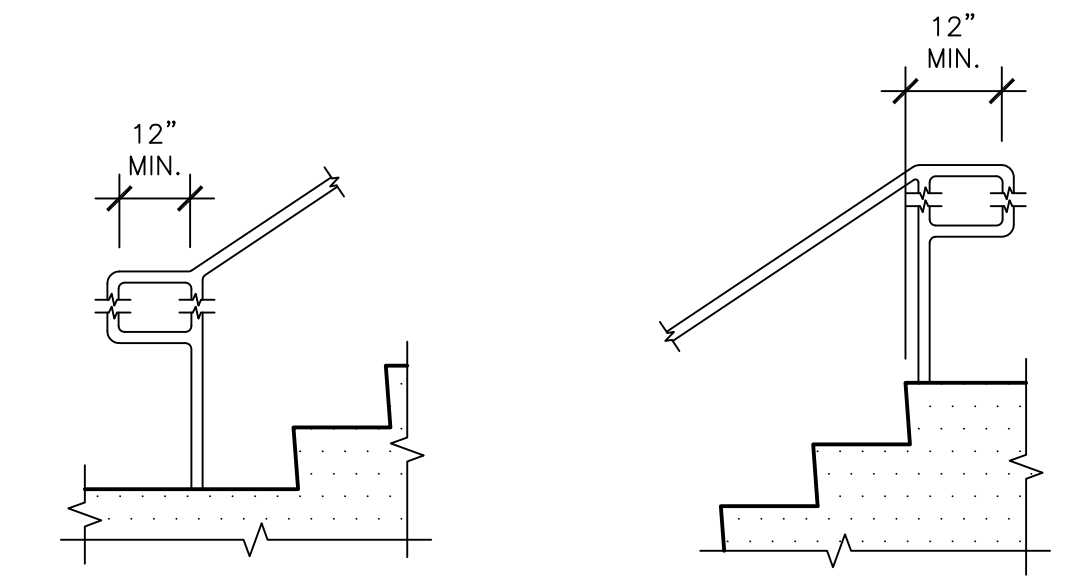
4 CAP PLATE DETAIL
S4.6 SCALE: 1 1/2" = 1'-0"



5 POST POCKET DETAIL
S4.6 SCALE: 1 1/2" = 1'-0"



6 STAIR DETAIL
S4.6 SCALE: N.T.S.



7 HANDRAIL DETAIL
S4.6 SCALE: N.T.S.

REVISIONS		COMMENTS
NO.	DATE	
▲		
▲		
▲		

RENOVATION/RESTORATION PROJECT
MARINER BEACH CLUB
4220 GULF BOULEVARD
ST. PETERSBURG BEACH, FLORIDA 33706

billerreinhardt
STRUCTURAL GROUP, INC.
4014 gulf highway suite 248, tampa, florida 33618
telephone : 813.908.7203 fax : 813.908.7303
email : info@billerreinhardt.com
State of Florida Certificate of Authorization No. 9149

FOR THE SET OF THE CONTRACT DOCUMENTS, THE PLANS AND SPECIFICATIONS COMPLY WITH THE APPLICABLE FEDERAL AND BUILDING CODES.
MICHAEL H. BILLER
FL. P.E. NO. 49972

PLANS AND DETAILS
DATE: 2-23-09 DRAWN BY: RC
JOB NO: 08-132 DESIGN BY: MB/CP/LL

SHEET NO.
S4.6