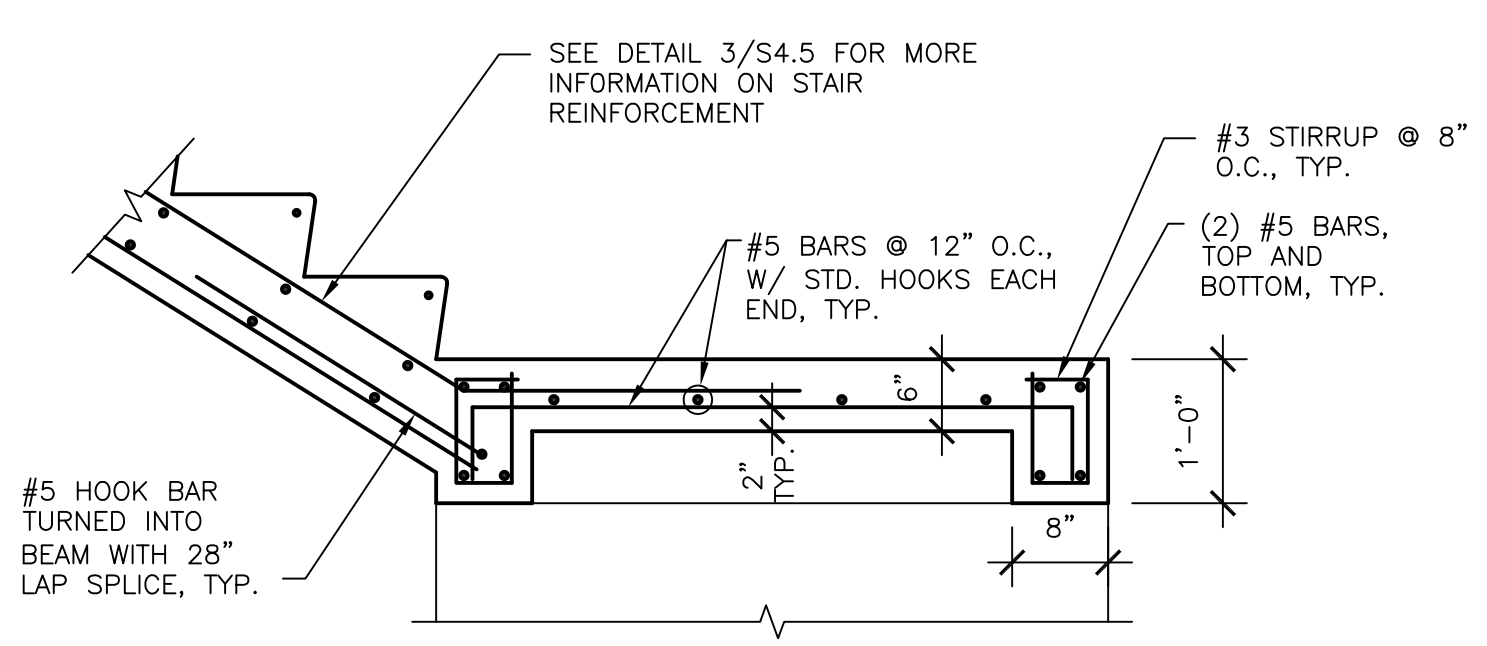
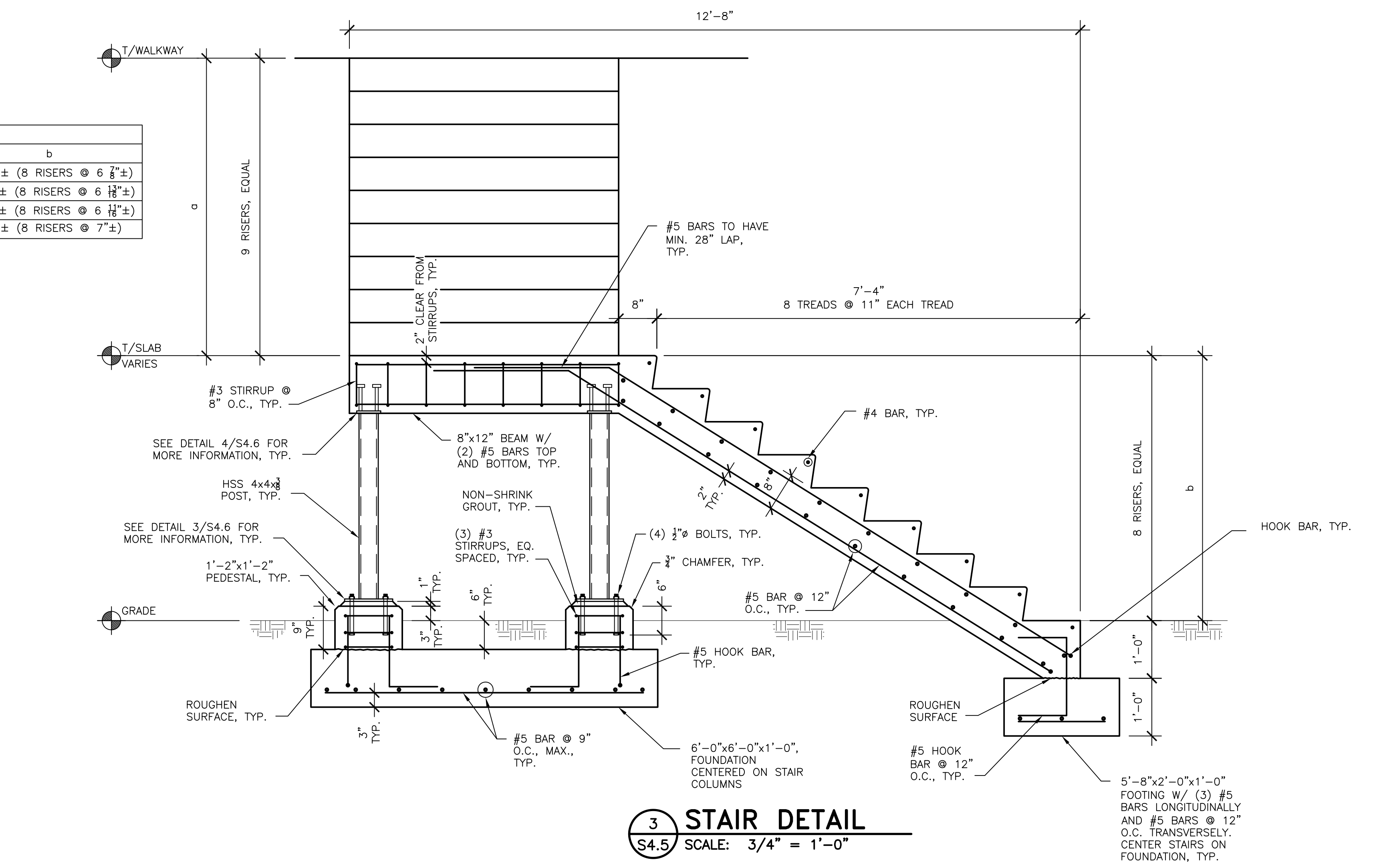


**1 NEW STAIR PLAN**  
S4.5 SCALE: 3/4" = 1'-0"

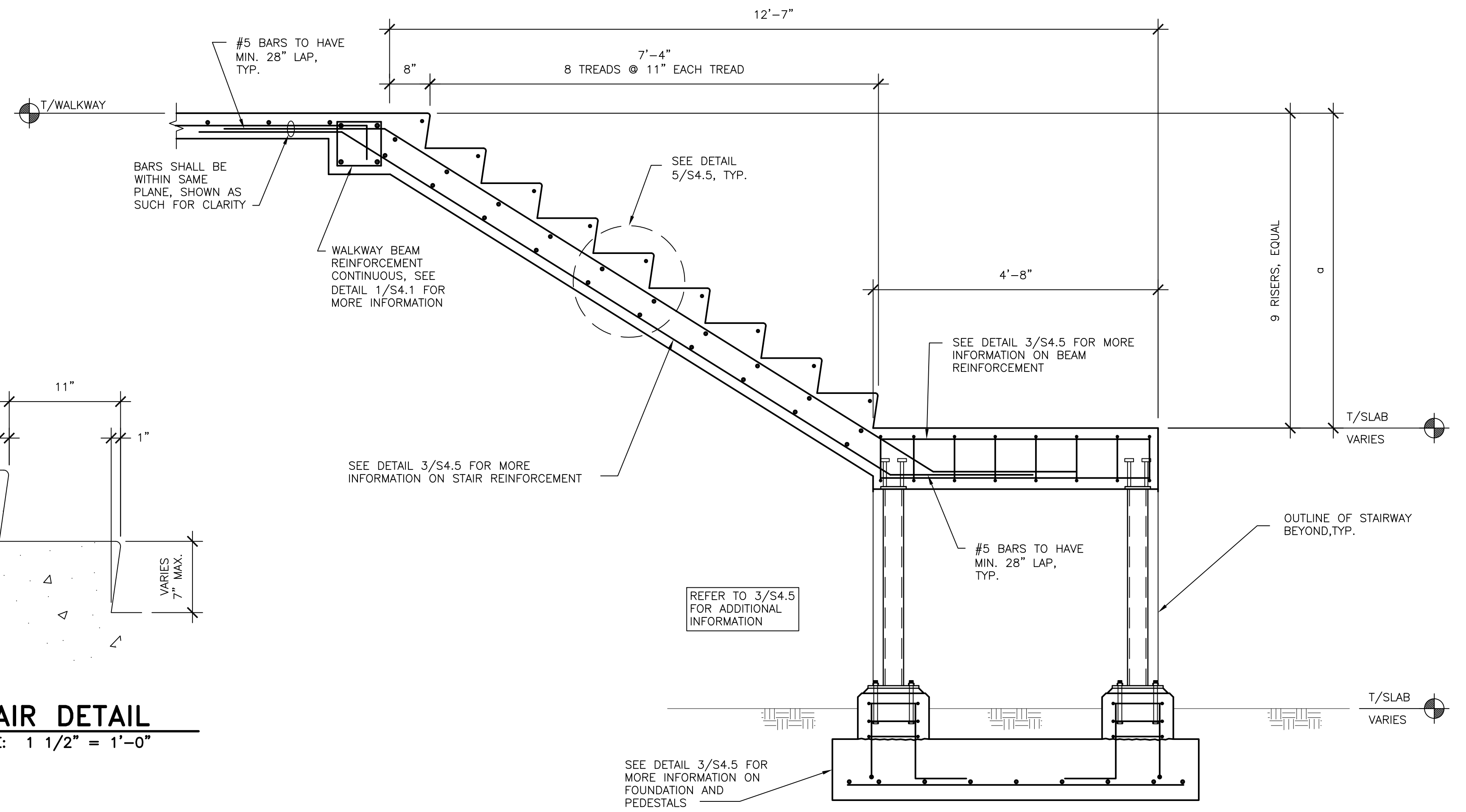


**2 STAIR LANDING DETAIL**  
S4.5 SCALE: 3/4" = 1'-0"

STAIR	a	b
N. BLDG., E STAIR	61 3/8"± (9 RISERS @ 6 3/8"±)	55 3/8"± (8 RISERS @ 6 3/8"±)
N. BLDG., W STAIR	61 3/8"± (9 RISERS @ 6 3/8"±)	54 1/2"± (8 RISERS @ 6 3/8"±)
S. BLDG., E STAIR	61 3/8"± (9 RISERS @ 6 3/8"±)	53 3/8"± (8 RISERS @ 6 3/8"±)
S. BLDG., W STAIR	61 3/8"± (9 RISERS @ 6 3/8"±)	56"± (8 RISERS @ 7"±)



**3 STAIR DETAIL**  
S4.5 SCALE: 3/4" = 1'-0"



**4 STAIR DETAIL**  
S4.5 SCALE: 3/4" = 1'-0"

**5 STAIR DETAIL**  
S4.5 SCALE: 1 1/2" = 1'-0"

REVISIONS		NO.	DATE	COMMENTS
DATE	COMMENTS			

**RENOVATION/RESTORATION PROJECT**  
**MARINER BEACH CLUB**  
4220 GULF BOULEVARD  
ST. PETERSBURG BEACH, FLORIDA 33706

**Billerreinhardt**  
STRUCTURAL GROUP, INC.  
4014 gulf highway suite 248, tampa, florida 33618  
telephone : 813.908.7203 fax : 813.908.7303  
email : info@billerreinhardt.com  
State of Florida Certificate of Authorization No. 9149

**MICHAEL H. BILLER**  
FL. P.E. NO. 49972

**PLANS AND DETAILS**  
DATE: 2-23-09 DRAWN BY: RC  
JOB NO: 08-132 DESIGN BY: MB/CP/LL

SHEET NO.  
**S4.5**