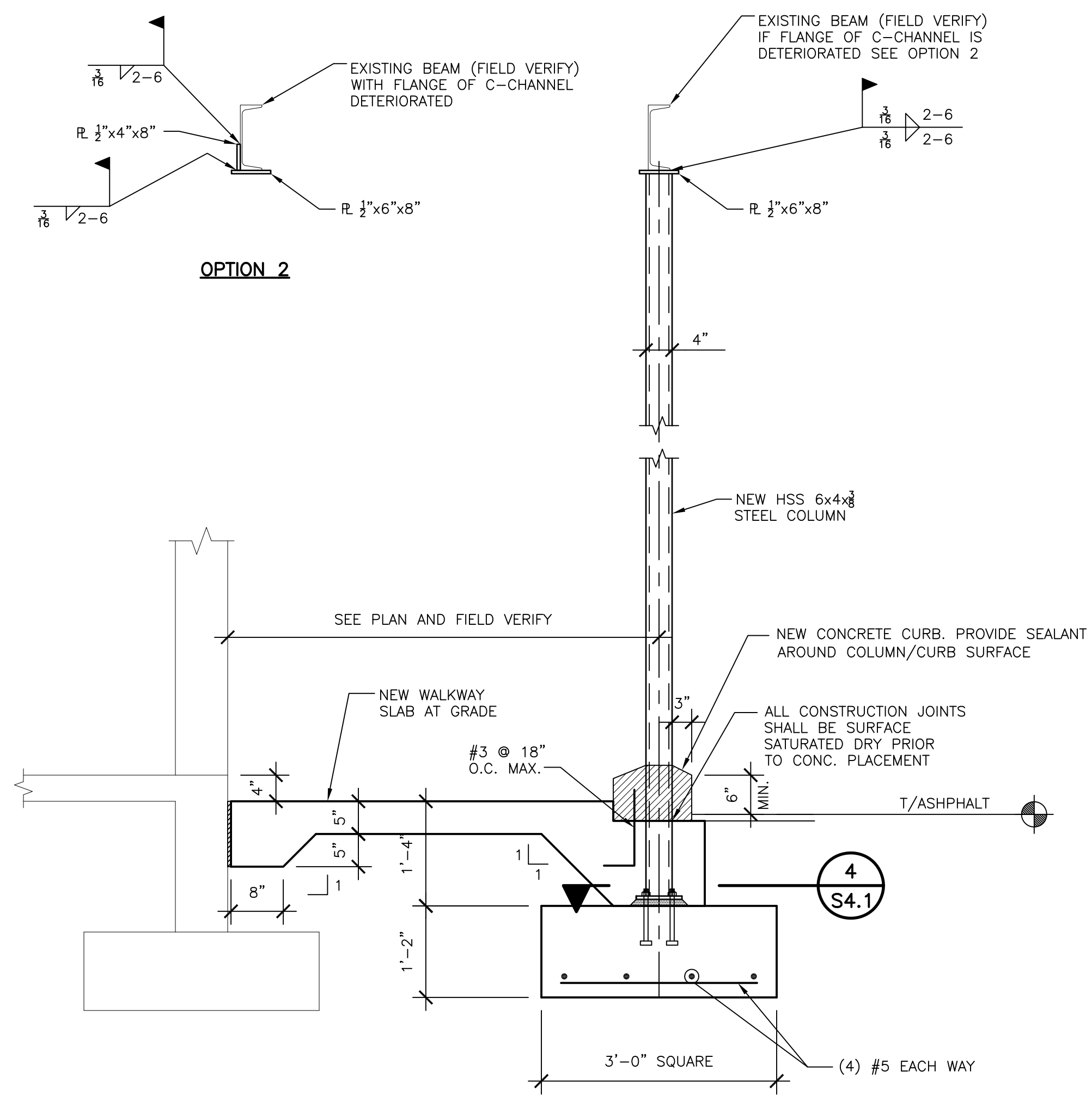


**1 SECTION - BALCONY**  
S4.2 SCALE: 3/4" = 1'-0"



**2 SECTION - BREEZEWAY**  
S4.2 SCALE: 3/4" = 1'-0"

| REVISIONS |      | NO. | DATE | COMMENTS |
|-----------|------|-----|------|----------|
| NO.       | DATE |     |      |          |
|           |      |     |      |          |
|           |      |     |      |          |
|           |      |     |      |          |

**RENOVATION/RESTORATION PROJECT**  
**MARINER BEACH CLUB**  
4220 GULF BOULEVARD  
ST. PETERSBURG BEACH, FLORIDA 33706

**billerreinhardt**  
STRUCTURAL GROUP, INC.  
4014 gulf highway suite 248, tampa, florida 33618  
telephone : 813.908.7203 fax : 813.908.7303  
email : info@billerreinhardt.com  
State of Florida Certificate of Authorization No. 9149

FOR THE BEST OF SERVICE, PLEASE REFER TO THE PLANS AND SPECIFICATIONS COMPLETE WITH THE APPLICABLE FEDERAL BUILDING CODES.  
**MICHAEL H. BILLER**  
FL. P.E. NO. 49972

**SECTION AND DETAILS**  
DATE: 2-23-09 DRAWN BY: RC  
JOB NO: 08-132 DESIGN BY: MB/CP/LL

SHEET NO.  
**S4.2**